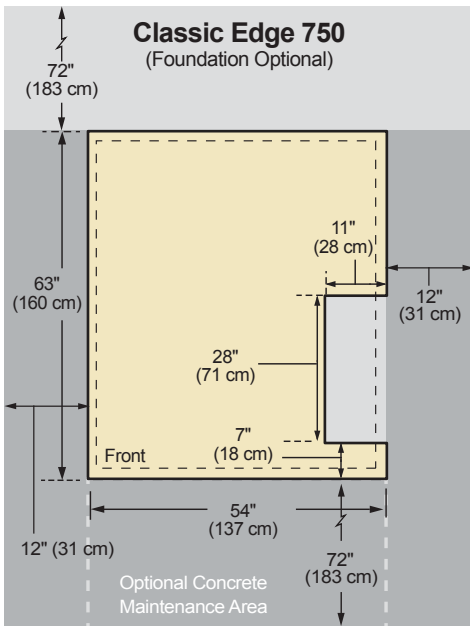
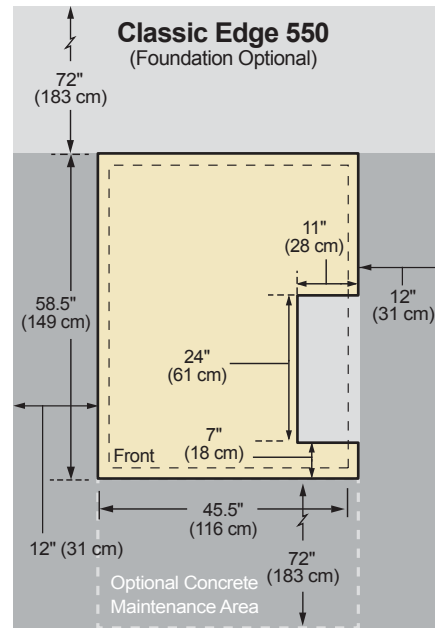
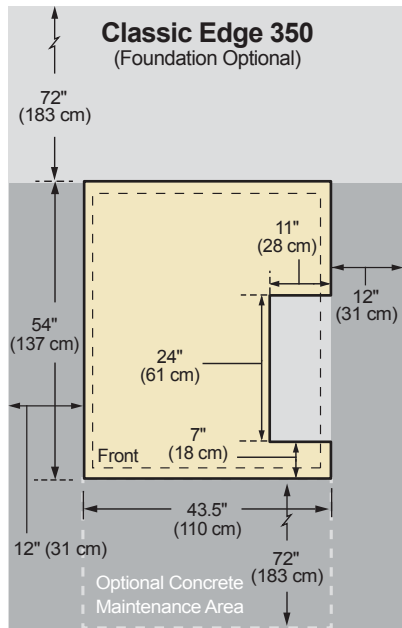


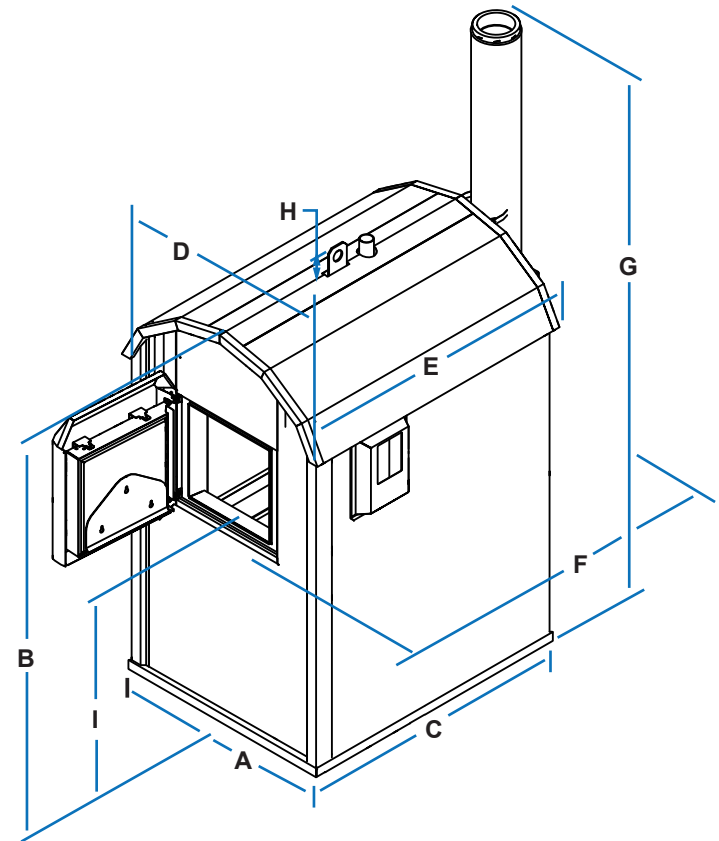
Classic Edge Furnace and Foundation Base Dimensions



Recommended maintenance clearances
 2" rigid foam insulation (optional)

CAUTION
Do not use any combustible materials for the foundation.

Foundations dimensions are 1-1/2" (4 cm) beyond the outside perimeter of the base.



Classic Edge Measurements									
	A	B	C	D	E	F	G	H	I
Classic Edge 350	40.5"	72"	50.75"	43"	51.5"	69"	150"	5"	38"
Classic Edge 550	42.5"	76"	55.5"	45"	56"	73.5"	151"	5"	37.5"
Classic Edge 750	51"	84.75"	59.75"	53.5"	60.5"	79"	164"	5"	39"

- Measurement (F) is from firebox door to chimney inspection cover.
 - Measurement (G) includes two 4 ft. chimney sections.

Outdoor furnace must be installed on a noncombustible surface or foundation that incorporates an enclosure that will prevent supply and return lines from possible exposure to sunlight, fire, or physical damage that may be caused by an occurrence outside the outdoor furnace enclosure. Foundation may consist of concrete, crushed rock, or patio blocks.

